

COMER

COMPANY: Commercial

RE: LF-205 J

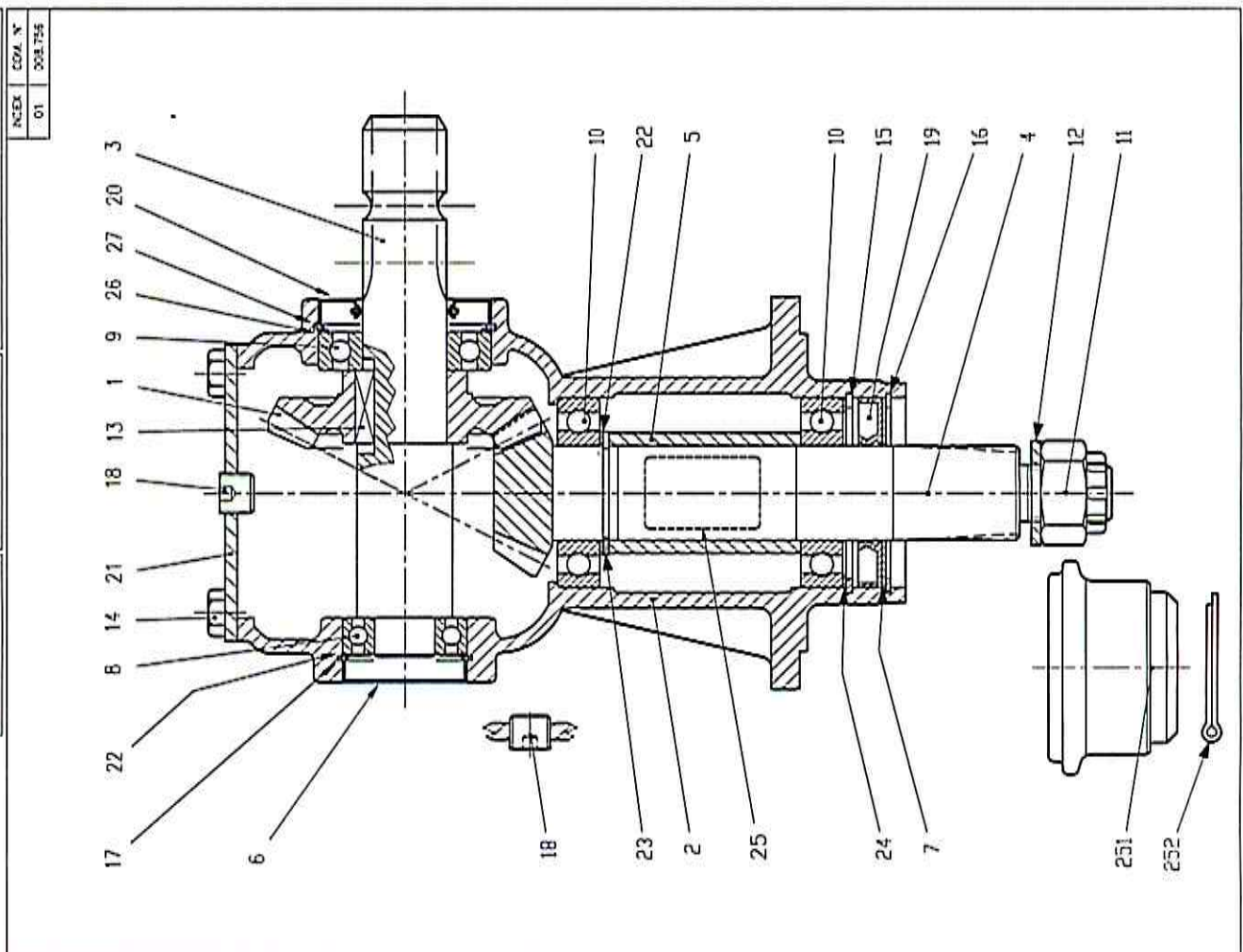
DATE: 21/jan/02

DESIGNER: LF-205 J

CODE: 205.805.00

INDEX: 01

COM. N°: 008.756



REF.	COMPANY: Commercial		RATIO 1 : 1.92	FIG. MONT. 21-22	COLLETT. LF-205 J	INDEX 01	COM. N° 008.756
	DRG. Nr.	PCS.					
1	0.135.5000.00	1	CROWN GEAR Z23 M5				
2	0.205.0300.00	1	CASING				
3	0.135.2001.00	1	INPUT SHAFT 1 3/8" Z6				
4	0.135.6008.00	1	PINION Z12 M5				
5	0.135.7105.00	1	SPACER				
6	8.7.0.00693	1	OIL CAP (52x7)				
7	1.135.7100.00	1	PROTECTIVE WASHER				
8	8.0.1.00034	1	BALL BEARING 6205 (25x52x15)				
9	8.0.1.00870	1	BALL BEARING 6207 (35x72x17)				
10	8.0.1.00871	2	BALL BEARING 6208 (40x80x18)				
11	8.2.2.00515	1	CASTILE NUT M24X2 PR80B				
12	8.3.2.00409	1	BOLT WASHER 25x44x4				
13	8.4.1.00993	1	PARALLEL KEY B 10X8X30				
14	8.1.1.00054	4	BOLTS M10x20 HHB (8.8)				
15	8.5.2.00030	1	SNAP RING (80x83.5x2.5 , for HOLES)				
16	8.5.3.00955	1	SNAP RING SB 81				
17	8.5.2.01358	1	SNAP RING (52x55x2.5 , for HOLES)				
18	8.6.6.00201	2	3/8" GAS SOLID FLUG				
19	8.7.1.00748	1	DUST LIP 40X80X12				
20	8.7.3.00055	1	OIL SEAL (35X72X10)				
21	0.205.1300.00	1	COVER				
22	0.244.7500.00	2	SHIM KIT (40.3x51.5)				
23	8.5.1.00680	1	SNAP RING (40x37.5x2.5 , for SHAFTS)				
24	0.267.7500.00	1	SHIM KIT (69x79.7)				
25	0.124.7135.00	1	NAME PLATE				
26	0.248.7500.00	1	SHIM KIT (60.3x71.7)				
27	8.5.2.00131	1	SNAP RING (72x75x2.5 , for HOLES)				

A.119.003			
POS.	DRG. Nr.	PCS.	DESCRIPTION
251	0.135.7000.00	1	BUSH
252	8.4.7.00516	1	COTTER PIN B5x50